



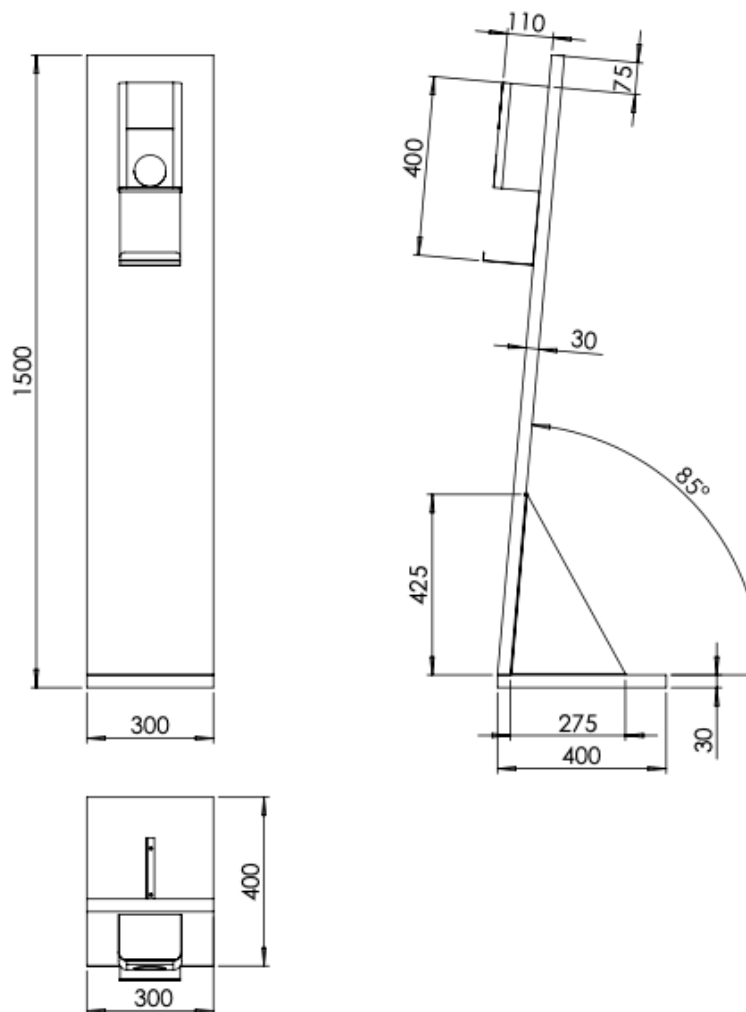
Data Sheet Dispenser Stand L Shape Sanitizer

- Touchless Hand sanitizer
- Working with sensor.
- Nozzle Spray type/ Optional Drop type for soap type – Gel type.
- Alcohol automatic spray dose 0,74 ml / Drop dose 1,60 ml – 1,22 ml.
- Viscosity (cPs) normal Spray 0,95-0,98 max 1,0 / Drop type 3000-7000.
- Disinfection alcohol use.
- Life test result 500,000 times.
- Refillable bottle 1000ml.

Made in Turkey.

NAME	Floor standing touchless hand sanitizer L shape stand.
MATERIAL	Metal – powder coated in Grey – black – white.
SIZE	150*30*40CM.
WEIGHT	16kgs net – 19kgs Gross.
SENSING DISTANCE	8-12 cm.
OPERATING	Battery 4 pcs 1.5 V Size C. Not supplied with the product.
MECHANISM	Operating with motor DC covered housing.
CASING/COVER	Openable cover case with lock key for service.
PACKING	Individual pack, 2pcs/2poly bag/ 2 cardboard cartons.
BOX SIZE	Box1: L 154cm* W 32,5cm* H 10cm – Box2: L 17cm* W 14,5cm* H 46cm.
PALLET LOAD	30 pcs per pallet sized L 156cm* W 120cm* H 120cm
USER MANUAL	Provided.
APPLICATION RANGE	laboratories, hospital, chemical plants, domestic and public places...
FEATURES	<ol style="list-style-type: none"> 1.Made completely out of metal durable for public use. 2. Battery use no need for connections. 3. Safe and friendly to use. 4. High - low temperature resistance.
CERTIFICATE	CE Certified - ROHS Certified.
LOGO	Accepted, MOQ: 100 PCS.
PAYMENT TERM	TT:100%tt in advanced.
PRODUCTION TIME	25 days, depends on quantity.

Technical Drawing





BAS Produktions- und Handels GmbH
www.bas-innovation.de
info@bas-innovation.de

+49 (0) 751 - 76 87 02 01
Karlsdorfer Straße 50
88069 Tettngang (Germany)

PRODUCT PICTURE

